



# **Product: GenX Mobile 5p Device with J-Box and J-Bus**

## **Graphic Installation Guide**

Version 1.2

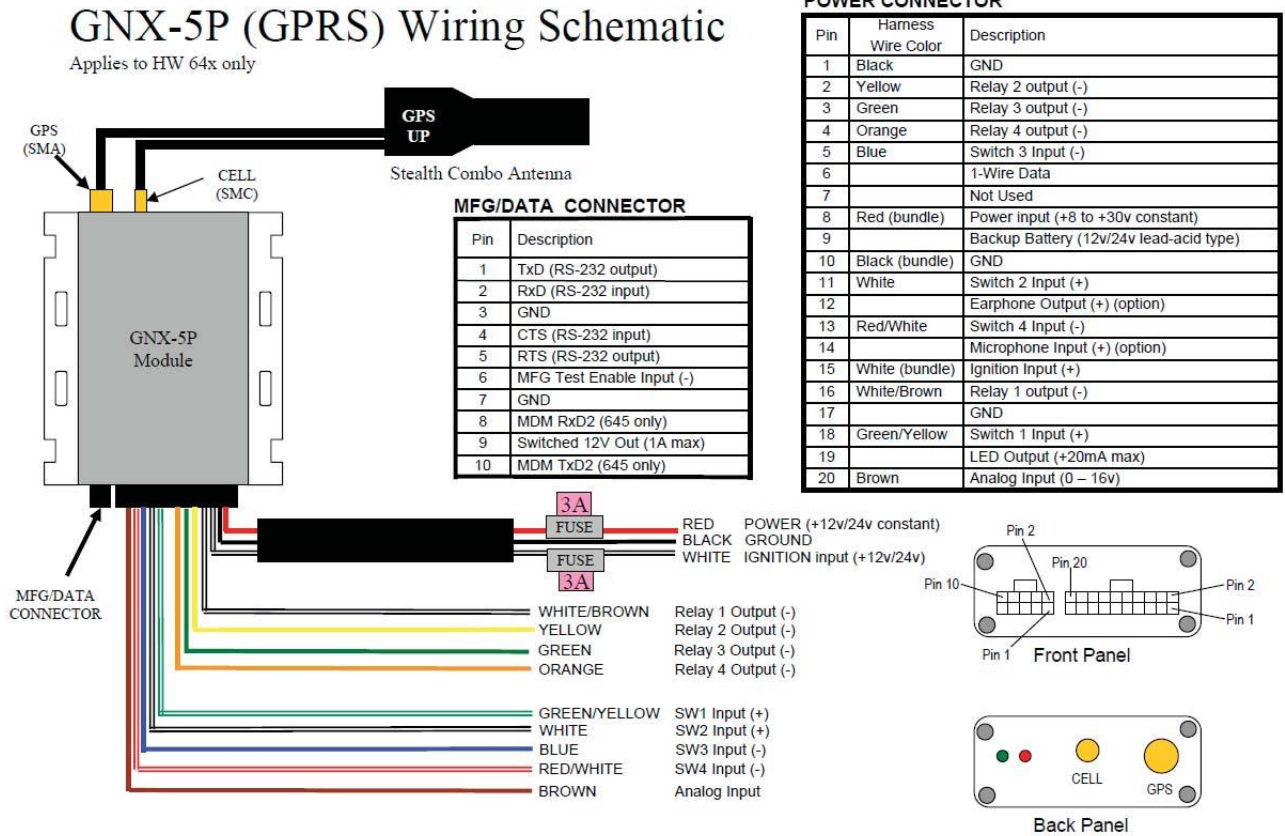
Date: April 9, 2015

Distribution: GPS Customers

\*\*\* DQ Technologies install\*\*\* only the 3 bundled wires on the long black cord with the 3AMP in-line fuse (Red, Black, and White) need to be connected to a power source.

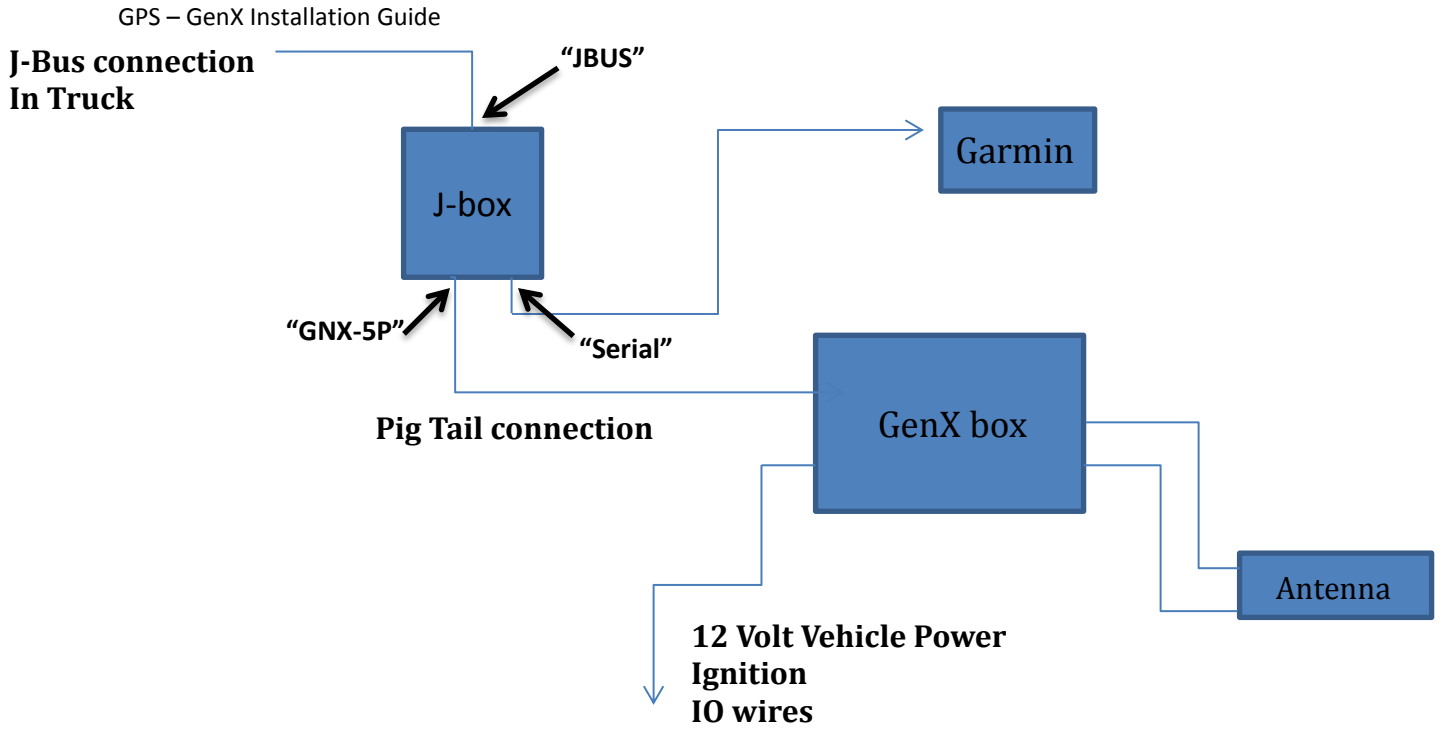
The 6 inch colored wires are not used at this time.

## Wiring Schematic Diagram



10/15/2009

GNX-5P GPRS Wiring Schematic ver 2.3



**DQ Technologies Install Diagram**

